



N32G430 Series Errata Sheet V1.0

Contents

1	Errata List	1
2	Power Control (PWR)	2
2.1	Cannot reset from DEBUG STOP2 mode by pressing NRST button.....	2
3	Timer (TIM)	3
3.1	TIM1/2/3/4/5/8 cannot generate compare events under certain circumstances	3
4	Serial Peripheral Interface (SPI)	4
4.1	I2S interface.....	4
4.1.1	PCM long frame mode.....	4
5	Real Time Clock (RTC)	5
5.1	RTC automatic wake up	5
5.2	The RTC tamper event is generated before the chip enters STANDBY and cannot wake up	5
5.3	The RTC calendar function cannot be initialized multiple times within 1 second	5
6	Marking information	6
7	Version history	7
8	Notice	8

1 Errata List

Table 1-1 Errata overview

Errata link		Chip version
		Version C
Section 2: Power Control (PWR)	Section 2.1: Cannot reset from DEBUG STOP2 mode by pressing NRST button	•
Section 3: Timer (TIM)	Section 3.1: TIM1/2/3/4/5/8 cannot generate compare events under certain circumstances	•
Section 3: Serial Peripheral Interface (SPI)	Section 4.1: I2S interface	Section 4.1.1: PCM long frame mode •
Section 4: Real Time Clock (RTC)	Section 5.1: RTC automatic wake up	•
	Section 5.2: The RTC tamper event is generated before the chip enters STANDBY and cannot wake up	•
	Section 5.3: The RTC calendar function cannot be initialized multiple times within 1 second	•

2 Power Control (PWR)

2.1 Cannot reset from DEBUG STOP2 mode by pressing NRST button

Description

When the DBG_CTRL.STOP bit is set to 1 and the chip enters the STOP2 mode, the chip cannot be reset by pressing the NRST button.

Resolution

Before the chip enters STOP2 mode, clear the DBG_CTRL.STOP bit to 0.

3 Timer (TIM)

3.1 TIM1/2/3/4/5/8 cannot generate compare events under certain circumstances

Description

In edge-aligned mode, in up-counting PWM1 mode, when the current PWM cycle CC DATx shadow register \geq AR value, the shadow register value of CC DATx in the next PWM cycle is 0. At the moment when the PWM cycle counter is 0, although the count value = CC DATx shadow register value = 0 and OCxREF = 0, but still no compare event is generated.

Resolution

If it is not required that "the comparison event is generated at the time when the count value = the shadow register of the comparison value = 0", the comparison event generated through another channel can replace the comparison event that is not generated.

4 Serial Peripheral Interface (SPI)

4.1 I2S interface

4.1.1 PCM long frame mode

Description

When I2S works in master mode, PCM long frame mode, and the data format is "32bit" or "16bit extended to 32bit", the WS signal is one cycle per 16bit instead of 32bit.

Resolution

When I2S works in master mode and the long frame mode must be used, the 16bit data mode should be used.

5 Real Time Clock (RTC)

5.1 RTC automatic wake up

Description

After the RTC calendar setting is completed, configure the automatic wake-up function. The time from enabling automatic wake-up to the first wake-up is smaller than the wake-up automatic reload value, and the subsequent automatic wake-up time is normal.

Resolution

Ignore the first wakeup.

5.2 The RTC tamper event is generated before the chip enters STANDBY and cannot wake up

Description

Before the chip enters STANDBY mode, if an RTC tamper event occurs, the chip will not wake up after entering STANDBY mode.

Resolution

None.

5.3 The RTC calendar function cannot be initialized multiple times within 1 second

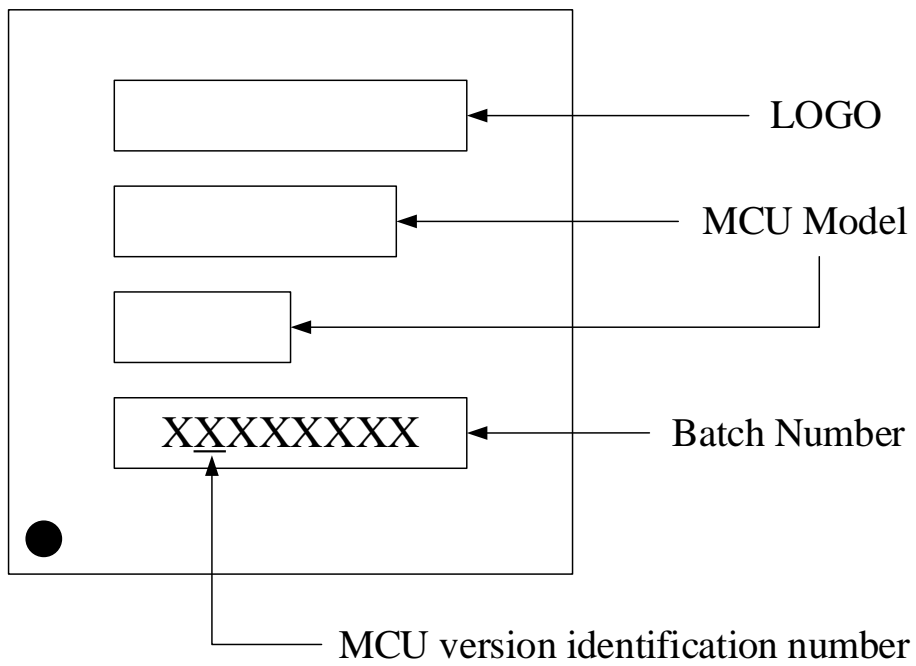
Description

The RTC calendar function is initialized multiple times within 1 second, so that the RTC alarm clock interrupt cannot be generated.

Resolution

The interval between two initializations of the RTC calendar function is more than 1 second.

6 Marking information



7 Version history

Date	Version	Remark
2022.5.12	V1.0	Initial release

8 Notice

This document is the exclusive property of Nations Technologies Inc. (Hereinafter referred to as NATIONS). This document, and the product of NATIONS described herein (Hereinafter referred to as the Product) are owned by NATIONS under the laws and treaties of the People's Republic of China and other applicable jurisdictions worldwide.

NATIONS does not grant any license under its patents, copyrights, trademarks, or other intellectual property rights. Names and brands of third party may be mentioned or referred thereto (if any) for identification purposes only.

NATIONS reserves the right to make changes, corrections, enhancements, modifications, and improvements to this document at any time without notice. Please contact NATIONS and obtain the latest version of this document before placing orders.

Although NATIONS has attempted to provide accurate and reliable information, NATIONS assumes no responsibility for the accuracy and reliability of this document.

It is the responsibility of the user of this document to properly design, program, and test the functionality and safety of any application made of this information and any resulting product. In no event shall NATIONS be liable for any direct, indirect, incidental, special, exemplary, or consequential damages arising in any way out of the use of this document or the Product.

NATIONS Products are neither intended nor warranted for usage in systems or equipment, any malfunction or failure of which may cause loss of human life, bodily injury or severe property damage. Such applications are deemed, "Insecure Usage".

Insecure usage includes, but is not limited to: equipment for surgical implementation, atomic energy control instruments, airplane or spaceship instruments, all types of safety devices, and other applications intended to support or sustain life.

All Insecure Usage shall be made at user's risk. User shall indemnify NATIONS and hold NATIONS harmless from and against all claims, costs, damages, and other liabilities, arising from or related to any customer's Insecure Usage.

Any express or implied warranty with regard to this document or the Product, including, but not limited to, the warranties of merchantability, fitness for a particular purpose and non-infringement are disclaimed to the fullest extent permitted by law.

Unless otherwise explicitly permitted by NATIONS, anyone may not use, duplicate, modify, transcribe or otherwise distribute this document for any purposes, in whole or in part.