

6

5

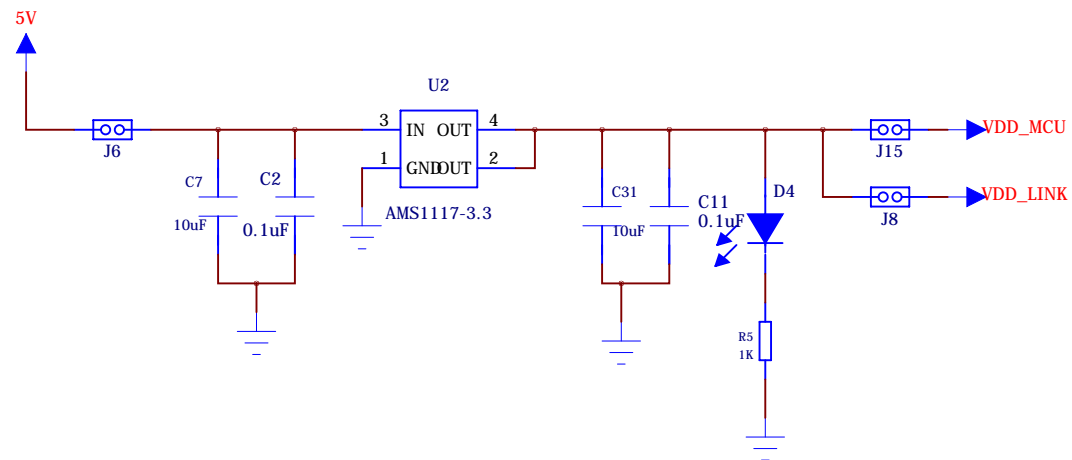
4

3

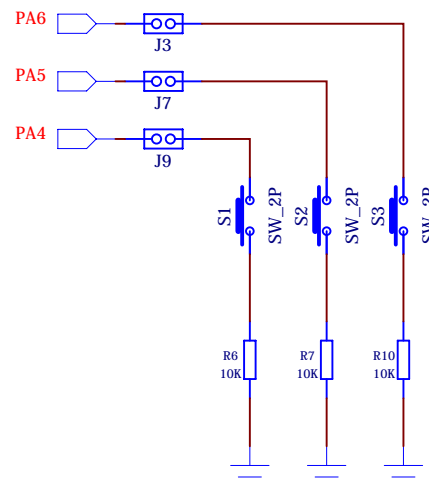
2

1

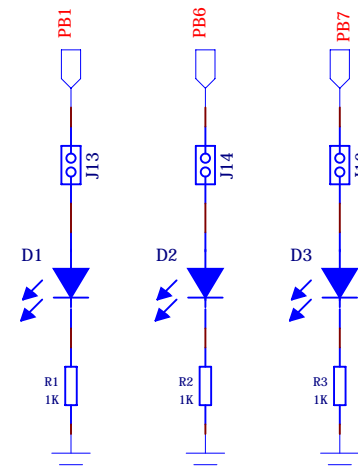
LDO 3.3V



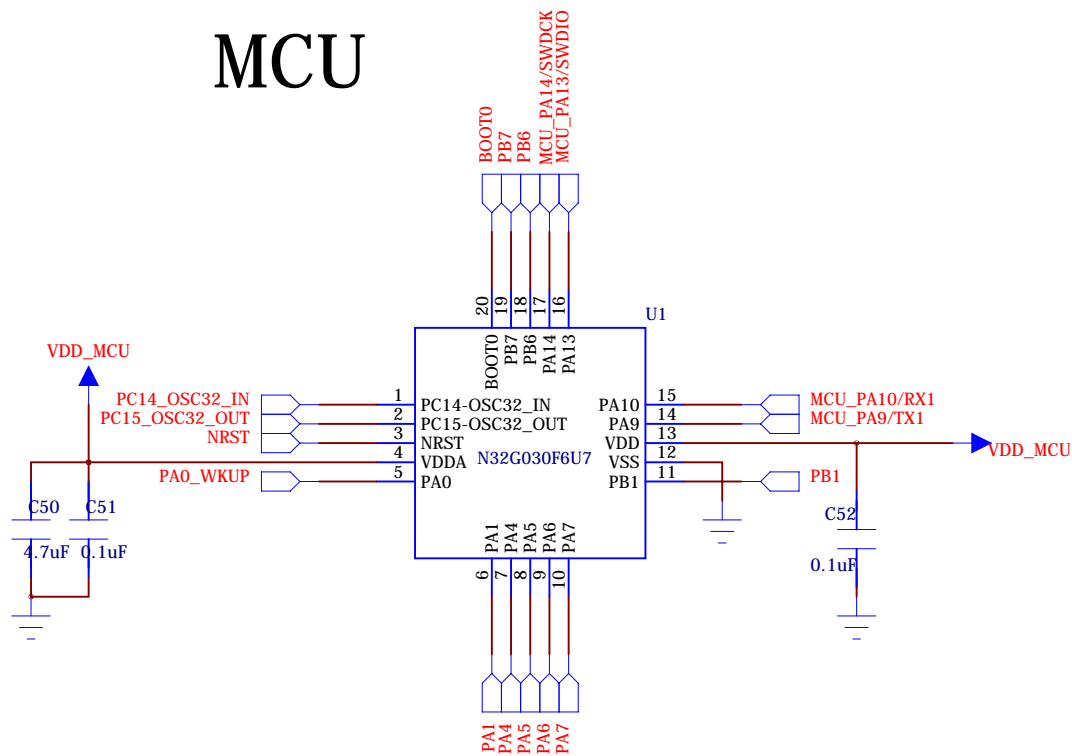
KEY



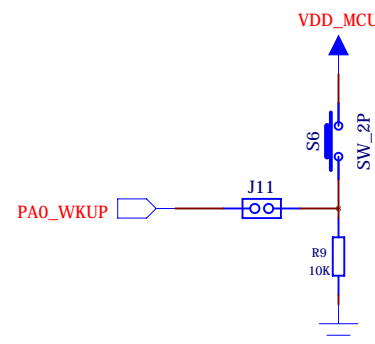
LED



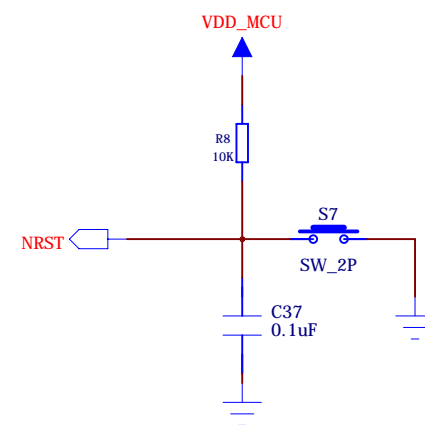
MCU



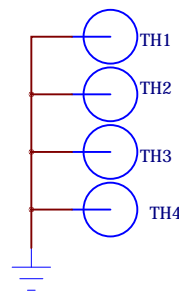
MCU WAKEUP



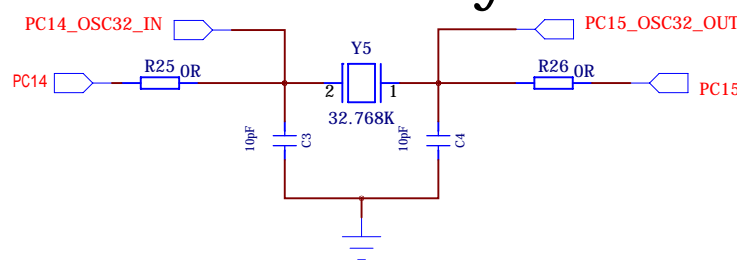
RESET



Mechanical Hole



32.768K Crystal



TITLE: N32G030F6U7_STB

SIZE: A3 REV: V1.0

DATED: 2020-08-14 SHEET:1 OF 2

D

D

C

C

B

B

A

A

6

5

4

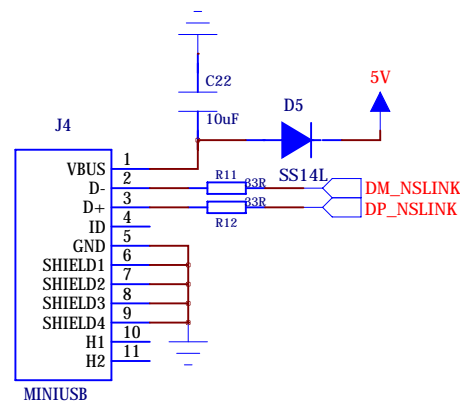
3

2

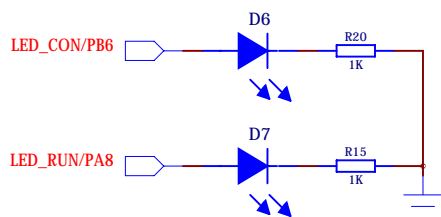
1

NS-LINK

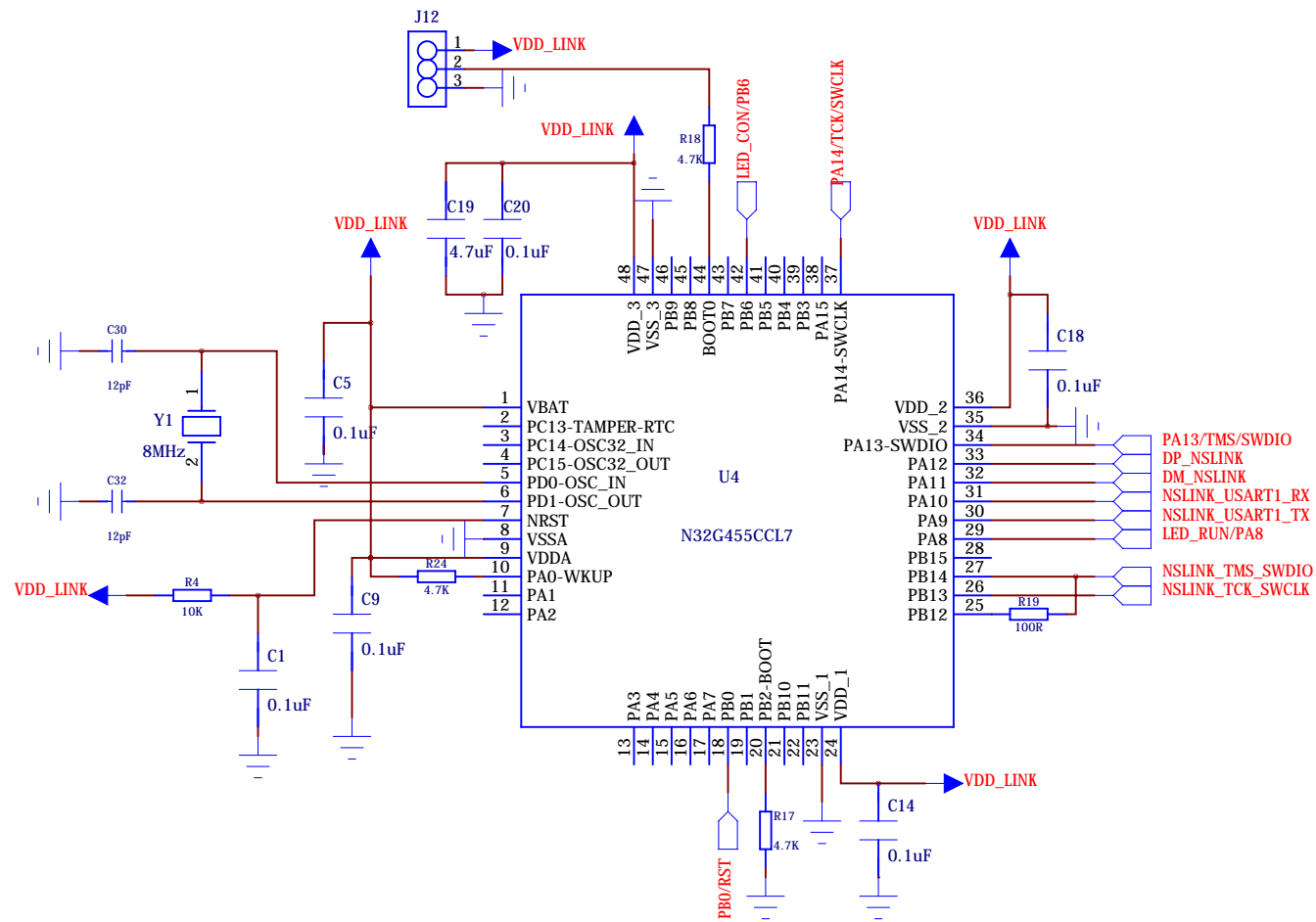
DEBUG USB



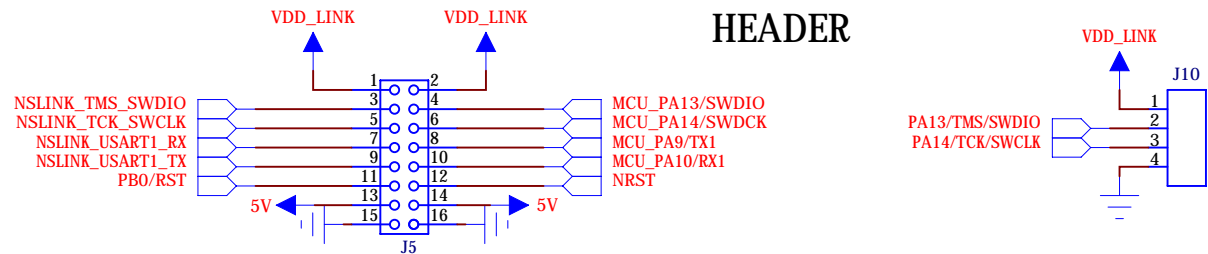
LED



MCU



HEADER



TITLE: N32G030F6U7_STB	
SIZE: A3	REV: V1.0
DATED: 2020-08-14	SHEET:2 OF 2