

6

5

4

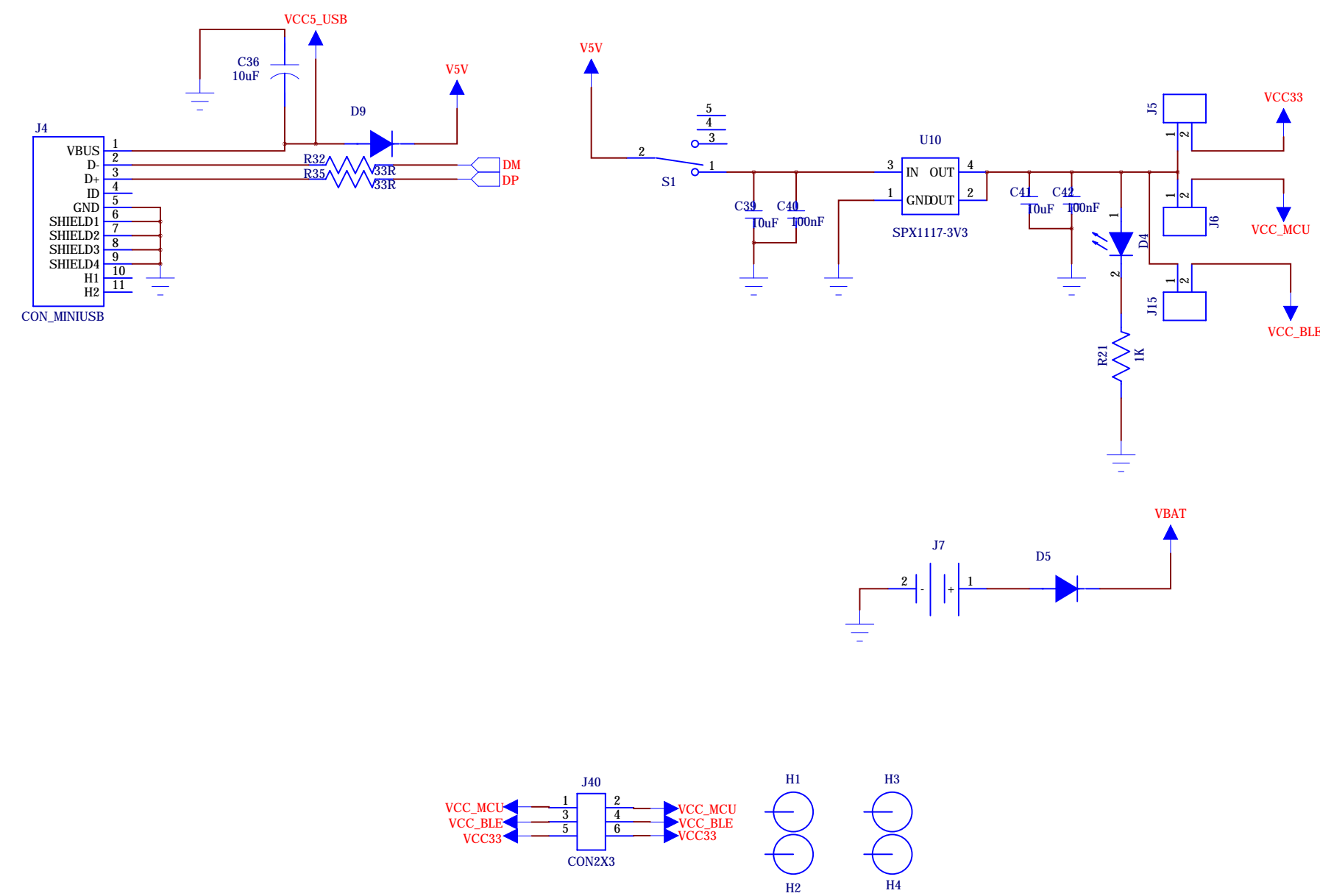
3

2

1

REVISION RECORD			
LTR	ECO NO.	APPROVED:	DATE:

POWER



COMPANY: Nations			
TITLE: N32WB45XL_EVB			
CODE:	SIZE:	DRAWING NO:	REV: V1.1.1
SCALE:		SHEET: of 4	

DRAWN:	DATED:
CHECKED:	DATED:
QUALITY CONTROL:	DATED:
RELEASED:	DATED:

D

C

B

A

D

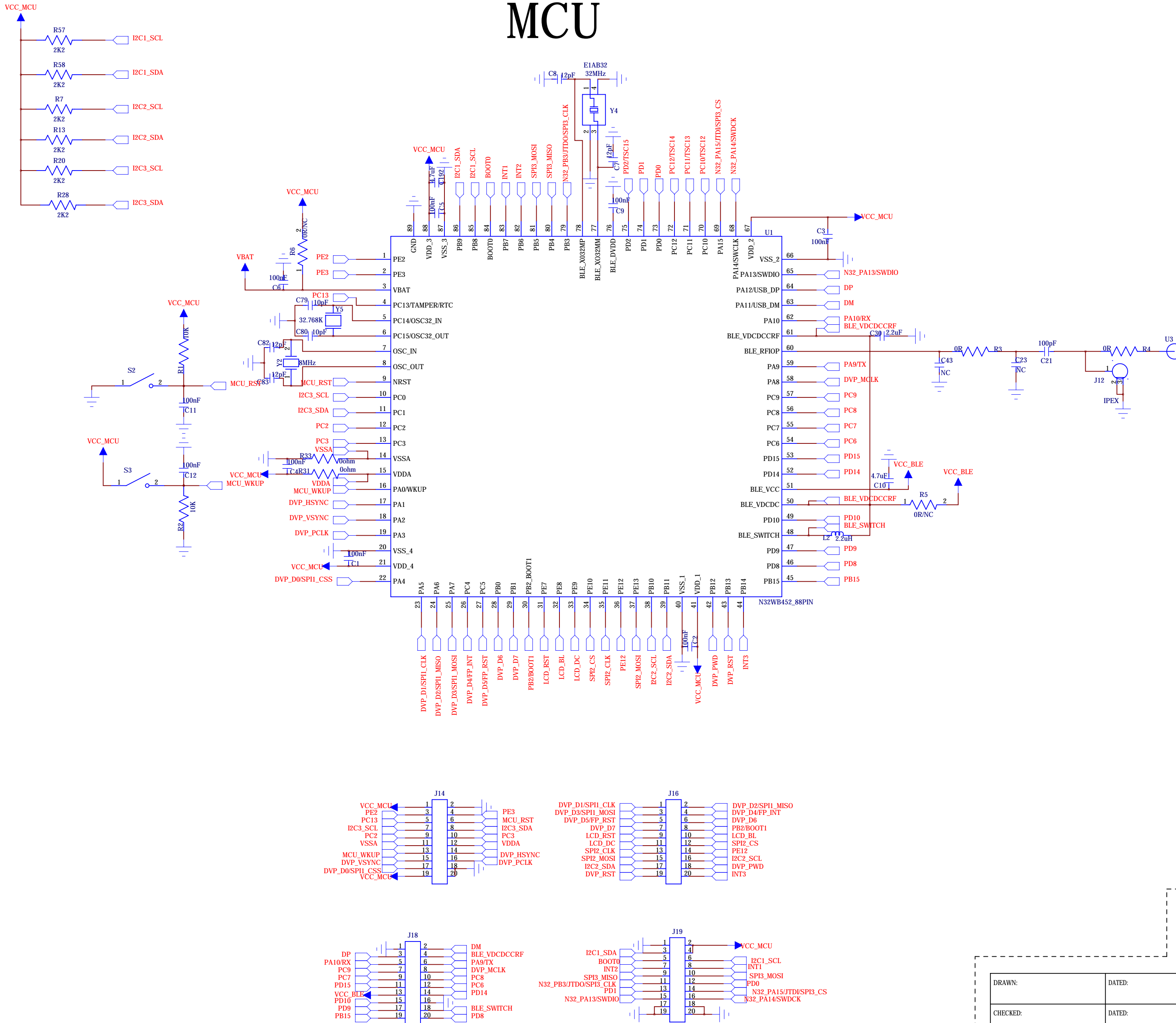
C

B

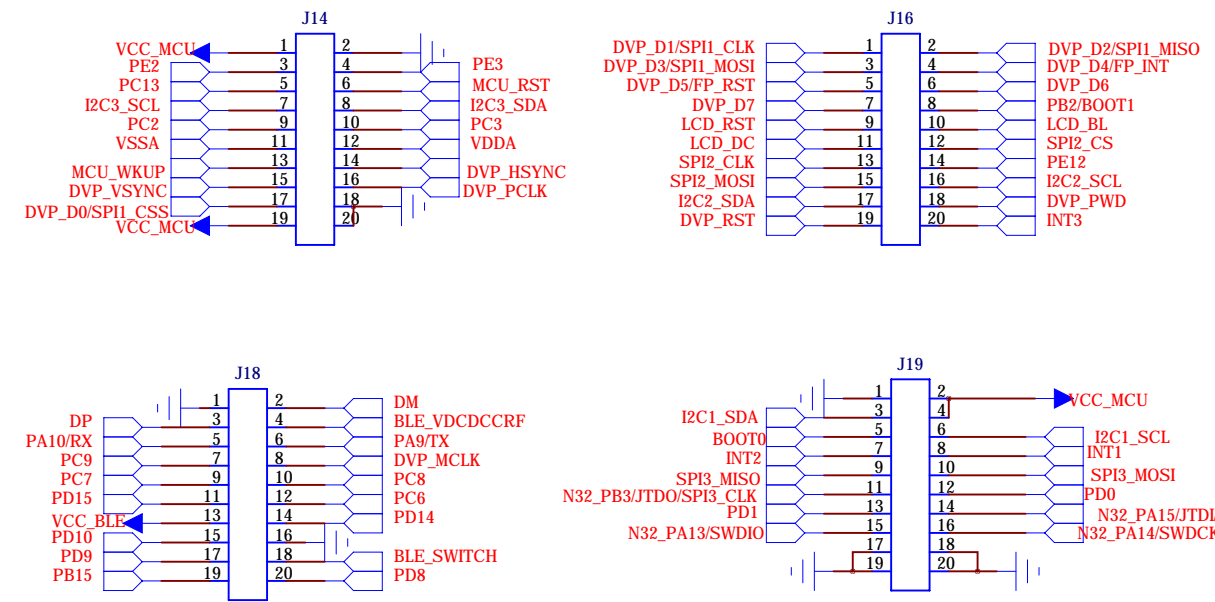
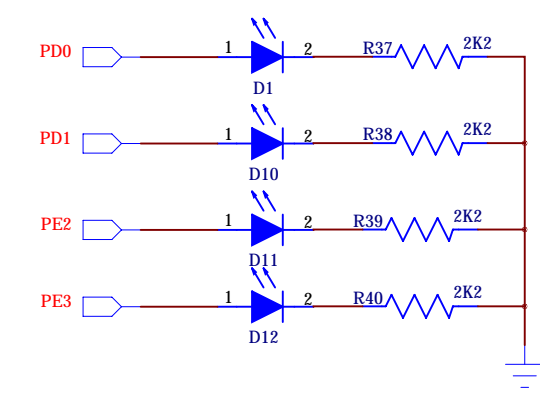
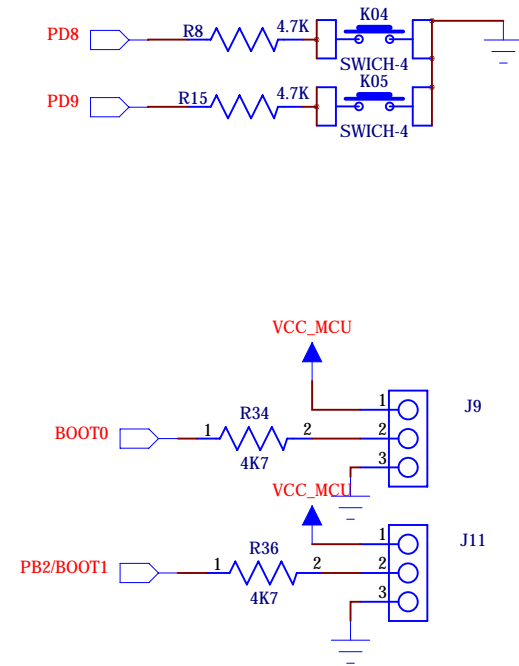
A

REVISION RECORD			
LTR	ECO NO.	APPROVED:	DATE:

MCU



KEY



COMPANY: Nations			
TITLE: N32WB45XL_EVB			
CODE:	SIZE:	DRAWING NO:	REV: V1.1.1
DRAWN:	DATED:	CHECKED:	DATED:
QUALITY CONTROL:	DATED:	RELEASED:	DATED:
SCALE:		SHEET: 02 4	

6

5

4

3

2

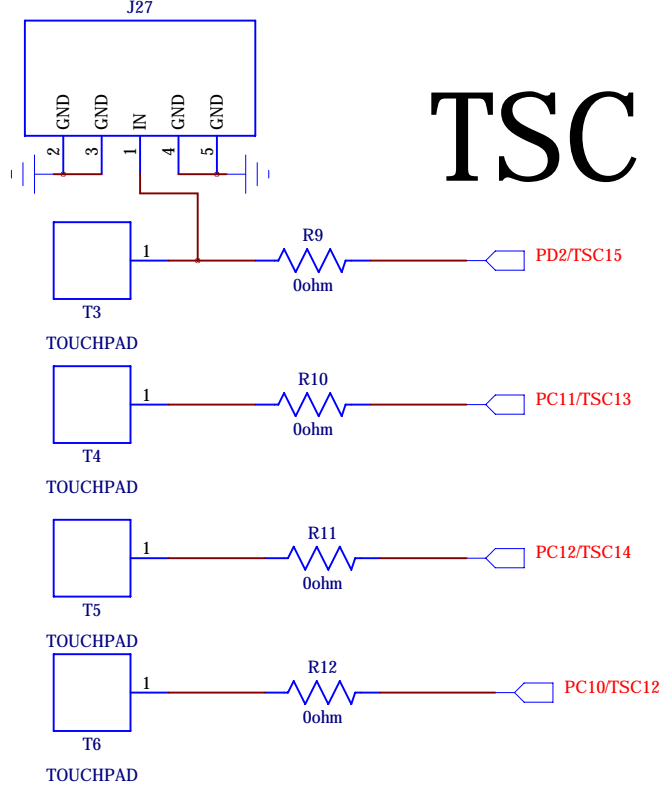
1

D

C

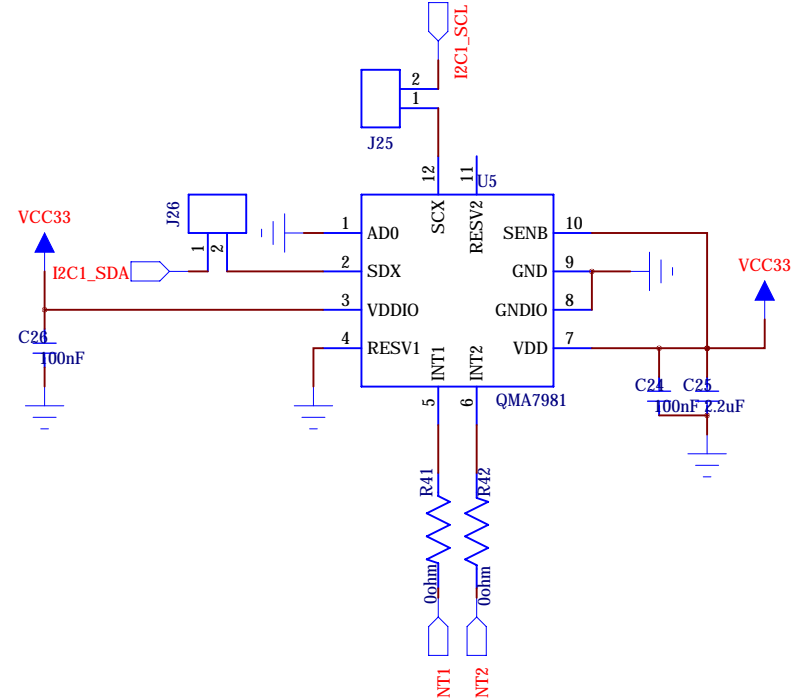
B

A

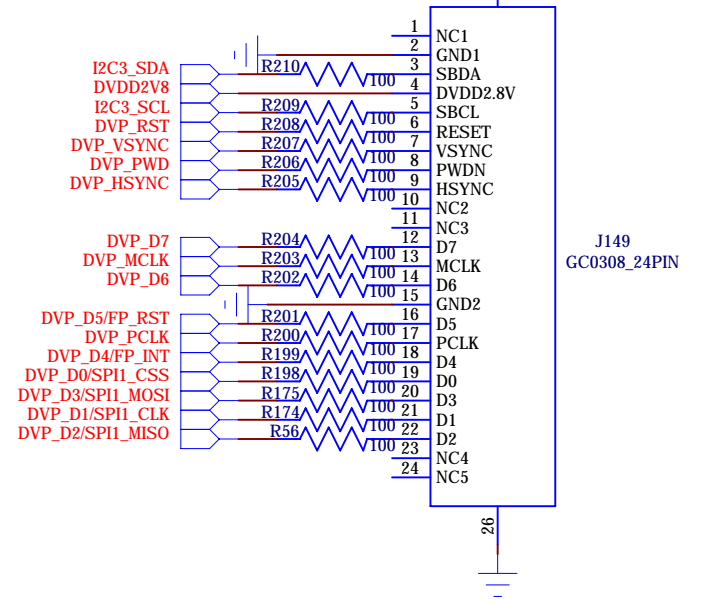


TSC

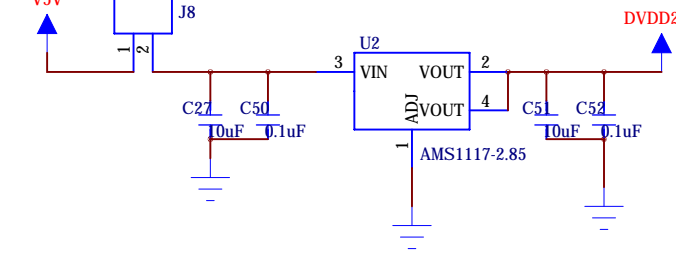
G-SENSOR



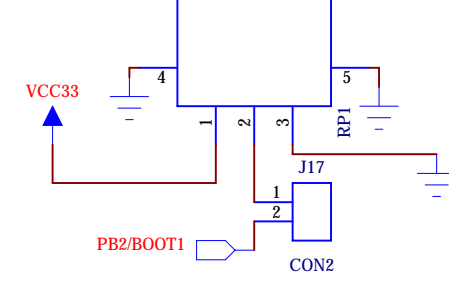
DVP



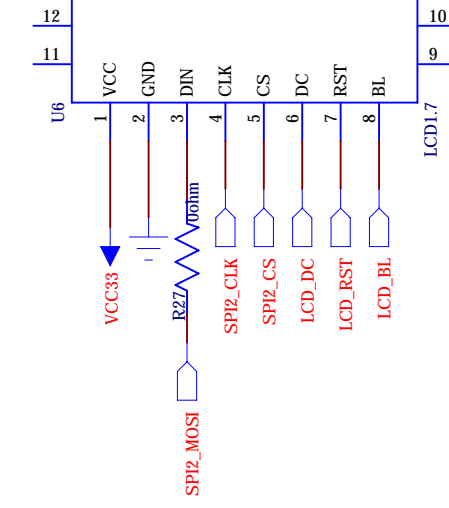
DVP Interface Voltage 2.8V



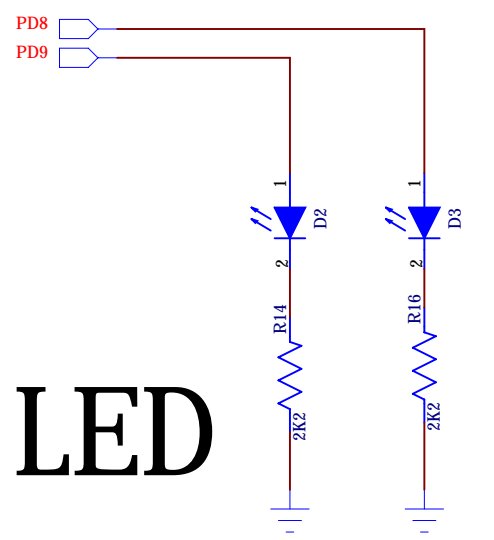
ADC



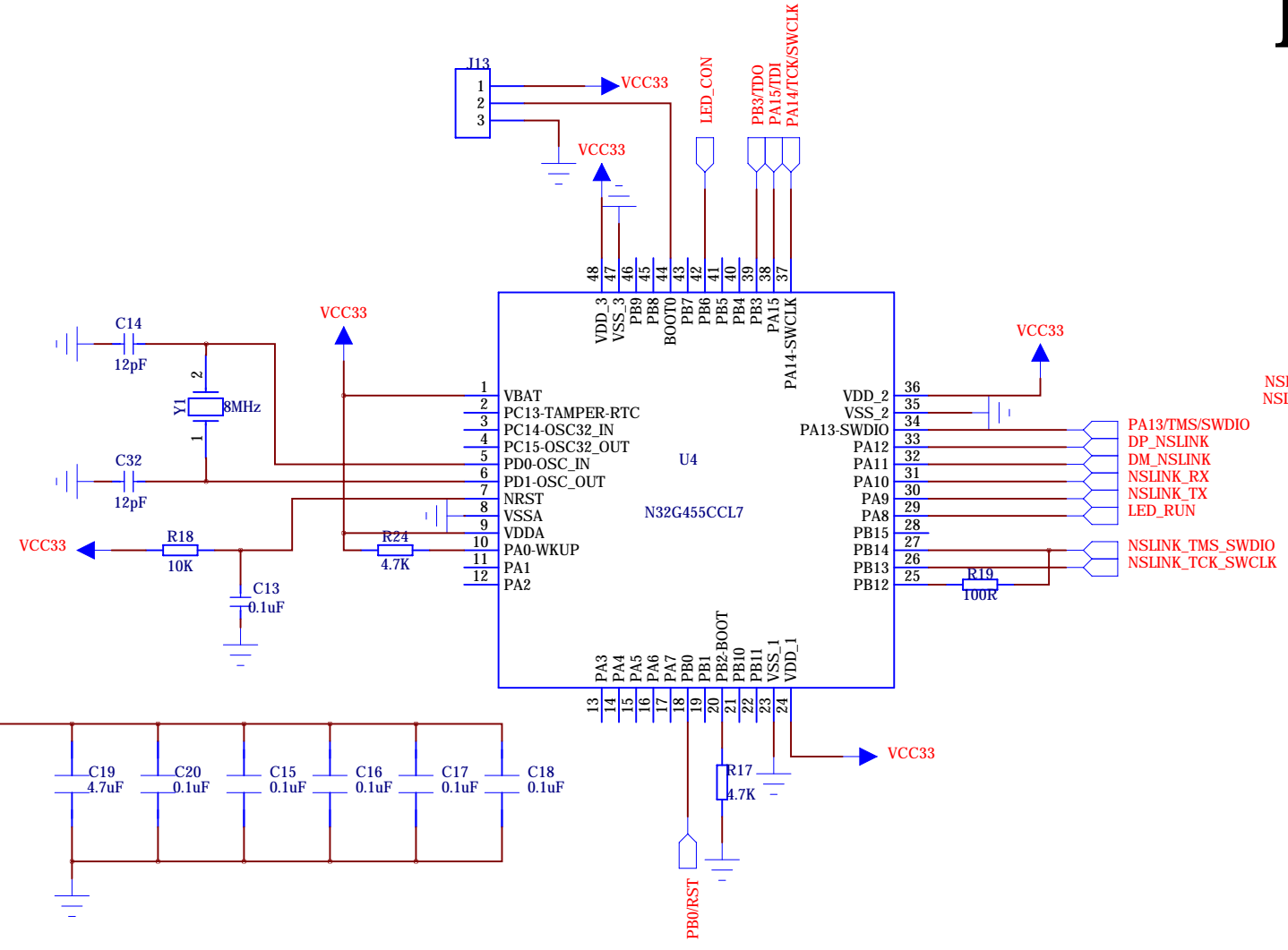
LCD



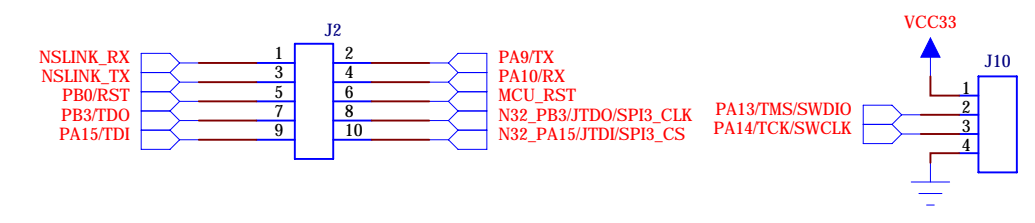
LED



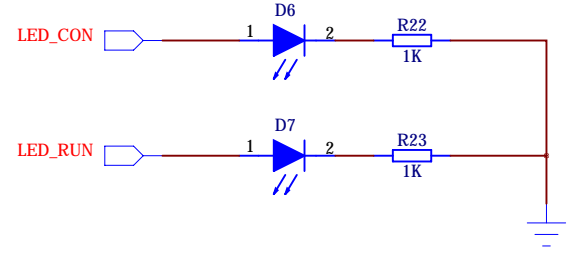
NSLINK



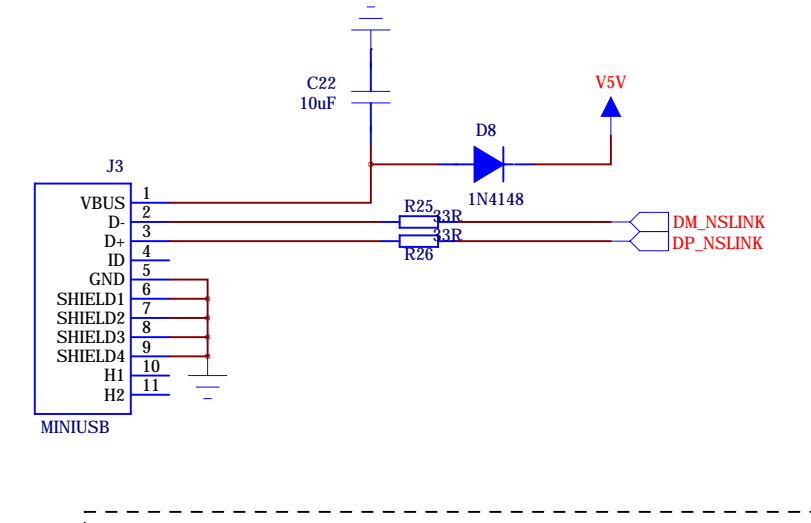
HEADER



LED



DEBUG USB



COMPANY: Nations
 TITLE: N32WB45XL_EVB

DRAWN:	DATED:
CHECKED:	DATED:
QUALITY CONTROL:	DATED:
RELEASED:	DATED:

CODE:	SIZE:	DRAWING NO:	REV: V1.1.1
SCALE:			SHEET: 3 OF 4

6

5

4

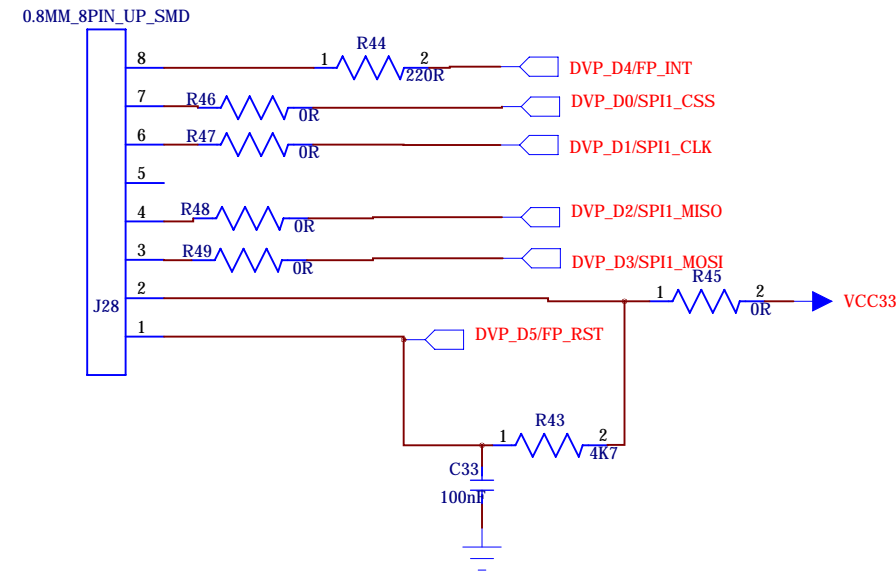
3

2

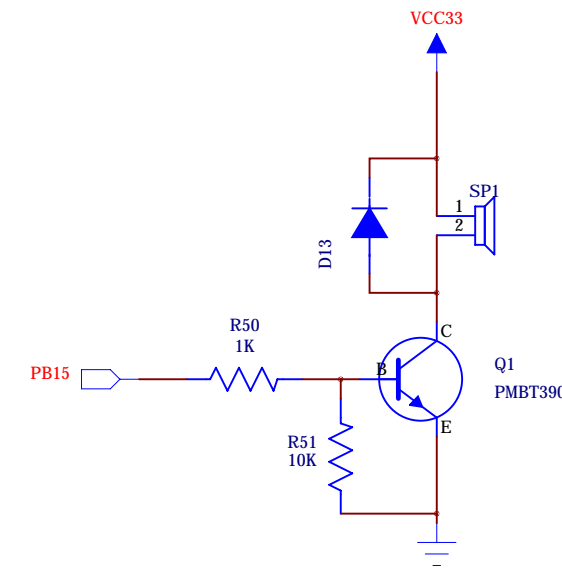
1

REVISION RECORD			
LTR	ECO NO:	APPROVED:	DATE:

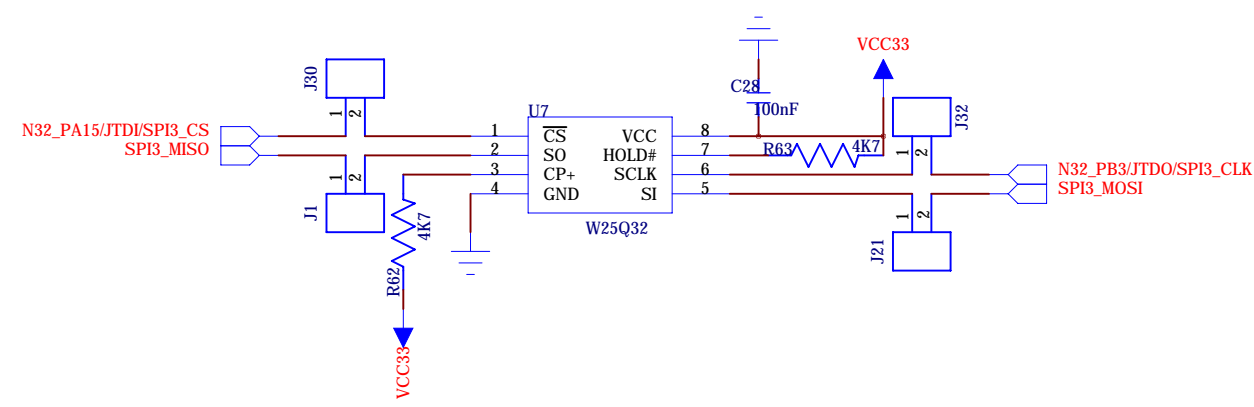
FingerPrint



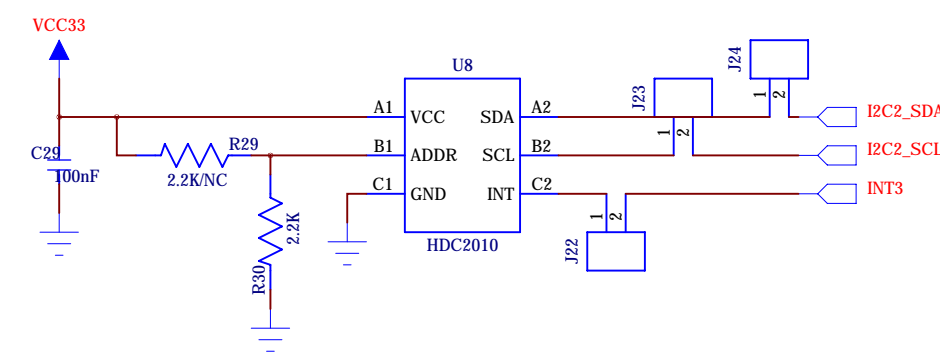
BUZZER



SPI_FLASH



Humidity&Temperrature Sensors



COMPANY: Nations			
TITLE: N32WB45XL_EVB			
CODE:	SIZE:	DRAWING NO:	REV: V1.1.1
SCALE: <Scale>			SHEET: 04 4

DRAWN: <Drawn By>	DATED: <Drawn Date>
CHECKED: <Checked By>	DATED: <Checked Date>
QUALITY CONTROL: <QC By>	DATED: <QC Date>
RELEASED: <Released By>	DATED: <Release Date>